

MSMC50AS-18

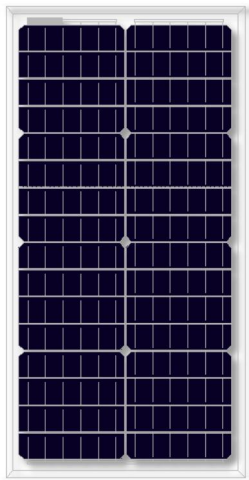
50Wp Mono-Crystalline Solar Module

MünchenSolar

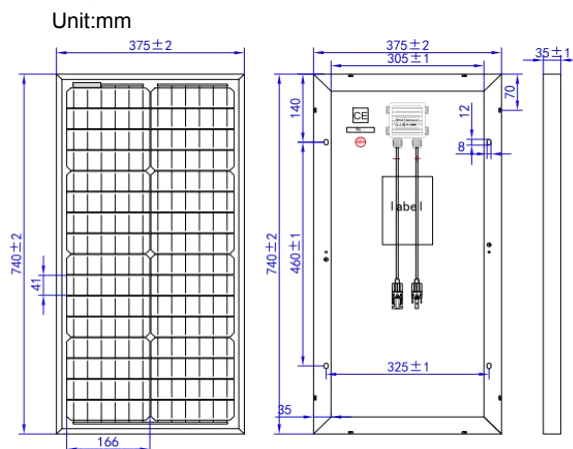
MAXIMALENERGIE



Manufacturer of high quality module



Engineering drawing



Key Features

- Plus power tolerance: +3%
- Independent research anti-reflective and self-cleaning glass surface reduces power loss from dirt and dust
- Excellent performance under low light environments, create better kWh/kW ratio and produce average 2-3% more electricity



Best Quality

- Junction box and bypass diodes guarantee the modules free of overheating and “hot spot effect”
- 100% EL double-inspection ensures modules are defects free



Mechanical characteristics

Cell Type	Mono-crystalline 166x41
Number of cells	32pcs(2x16)
Module Dimensions	740x375x35 mm
Module weight	3.0kg
Front Glass	3.2mm Low iron tempered glass
Frame	Anodized aluminum alloy
Connector	MC4 PLUG
Output Cables	S=2.5mm ² /L=500mm
Junction box	IP67 with bypass-diode
Fire Safety Class	Class C (IEC61730)



Electrical Performance

Module Type	MSMC50AS-18	
Power output	50W	
Power output tolerances	%	0~+3
Module efficiency	%	18
Voltage at Pmax	V	19.06
Current at Pmax	A	2.62
Open circuit voltage	V	22.14
Short circuit current	A	2.87
Cells efficiency	%	23%
Operating temperature	°C	- 40 ~ + 85



Thermal characteristics

Nominal operating cell temperature	°C	45 ± 2
Temperature coefficient of Pmax	% / K	-0.35
Temperature coefficient of Voc	% / K	-0.27
Temperature coefficient of Isc	% / K	+0.03



Electrical characteristics

